



# Skinner Electrical Building Upgrades – Procurement Contract

Engineering & Operations Committee

Item 7-4

November 5, 2012

# Current Action

- Award \$747,910.23 procurement contract to OneSource Distributors to provide UPC electrical parts
- No funds are requested in this action

# Metropolitan Water Treatment Plants





# Background

- Dec. 2009: Metropolitan forces authorized to upgrade 12 Skinner electrical bldgs
  - Total estimated construction cost: \$5.7 M
- Oct. 2010: Procured add'l MCC electrical parts for 9 electrical bldgs
- Construction now 44% complete
  - All new MCC parts have been installed

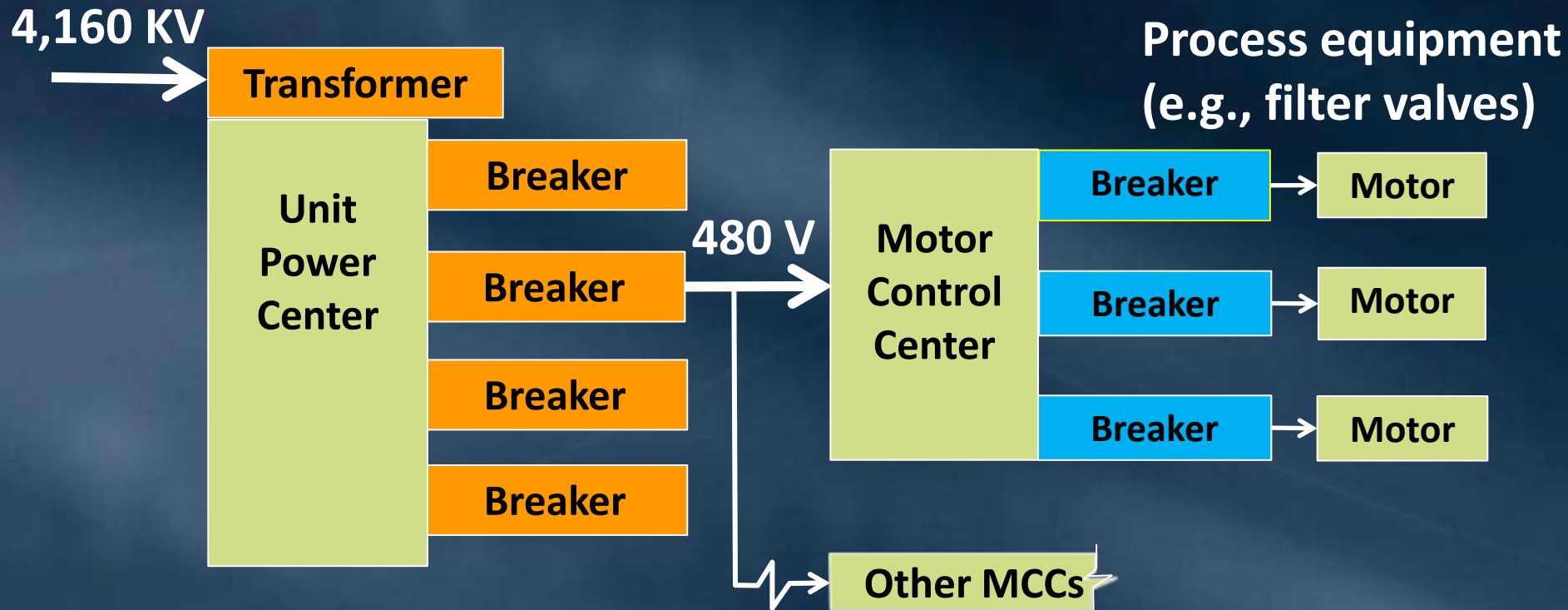


**Upgraded MCC Bucket**

# Project Location & UPC-Served Facilities



# Electrical Bldg Upgrades by Metropolitan Forces



 **Current action**

 **Procured previously**



# Electrical Bldg. Upgrades – Procurement Contract



- Replacement parts for 6 UPCs in 3 bldgs., including:
  - 53 circuit breakers
  - 5 transformers
  - 3 automatic transfer switches
  - 6 digital monitoring meters



# Bid Results – UPC Electrical Parts

Bid No. RFB-JP-247693

<b>Bids received:</b>	<b>9/5/2012</b>
<b>No. of bidders:</b>	<b>6</b>
<b>Low bidder:</b>	<b>OneSource Distributors, LLC</b>
<b>Low bid:</b>	<b>\$ 747,910.23</b>
<b>Other bids:</b>	<b>\$ 925,000 to \$1,840,000</b>
<b>Budgetary estimate:</b>	<b>\$ 1,000,000</b>
<b>SBE Participation:</b>	<b>100%</b>



# Schedule



# Board Options

- Option # 1
  - Adopt CEQA determination
  - Award \$747,910.23 procurement contract to OneSource Distributors for Skinner Electrical Bldg. Upgrades
- Option # 2
  - Do not award the procurement contract & re-advertise

# Staff Recommendation

- Option # 1



