



Allen-McColloch Pipeline Repairs

Engineering & Operations Committee
Item No. 7-3
August 16, 2010

Current Action

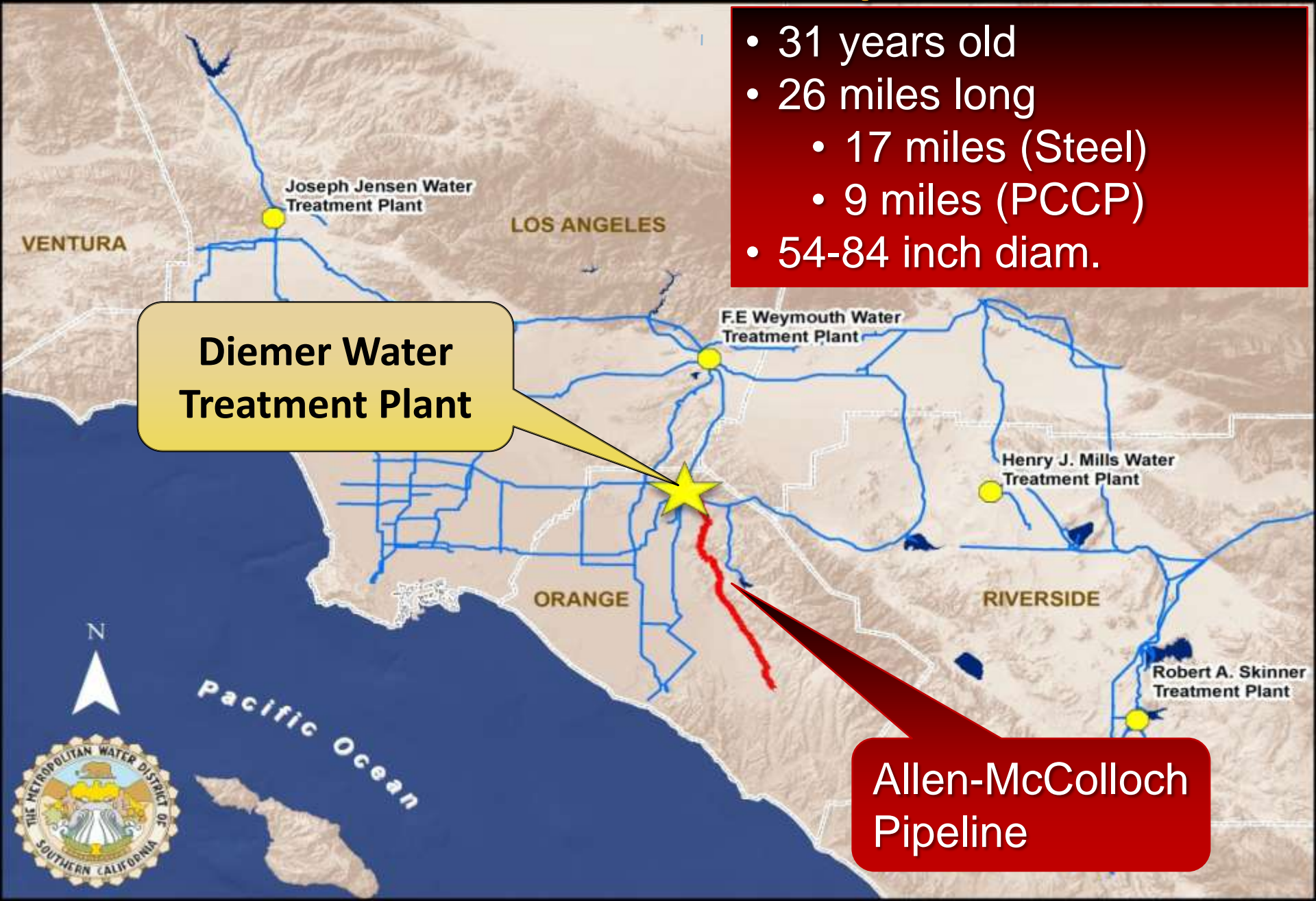
- Appropriate \$1.2M
- Authorize final design for 2 projects on the Allen-McColloch Pipeline
 - Stage 2 Pipeline Repairs
 - Valve Vault Repairs

Allen-McColloch Pipeline

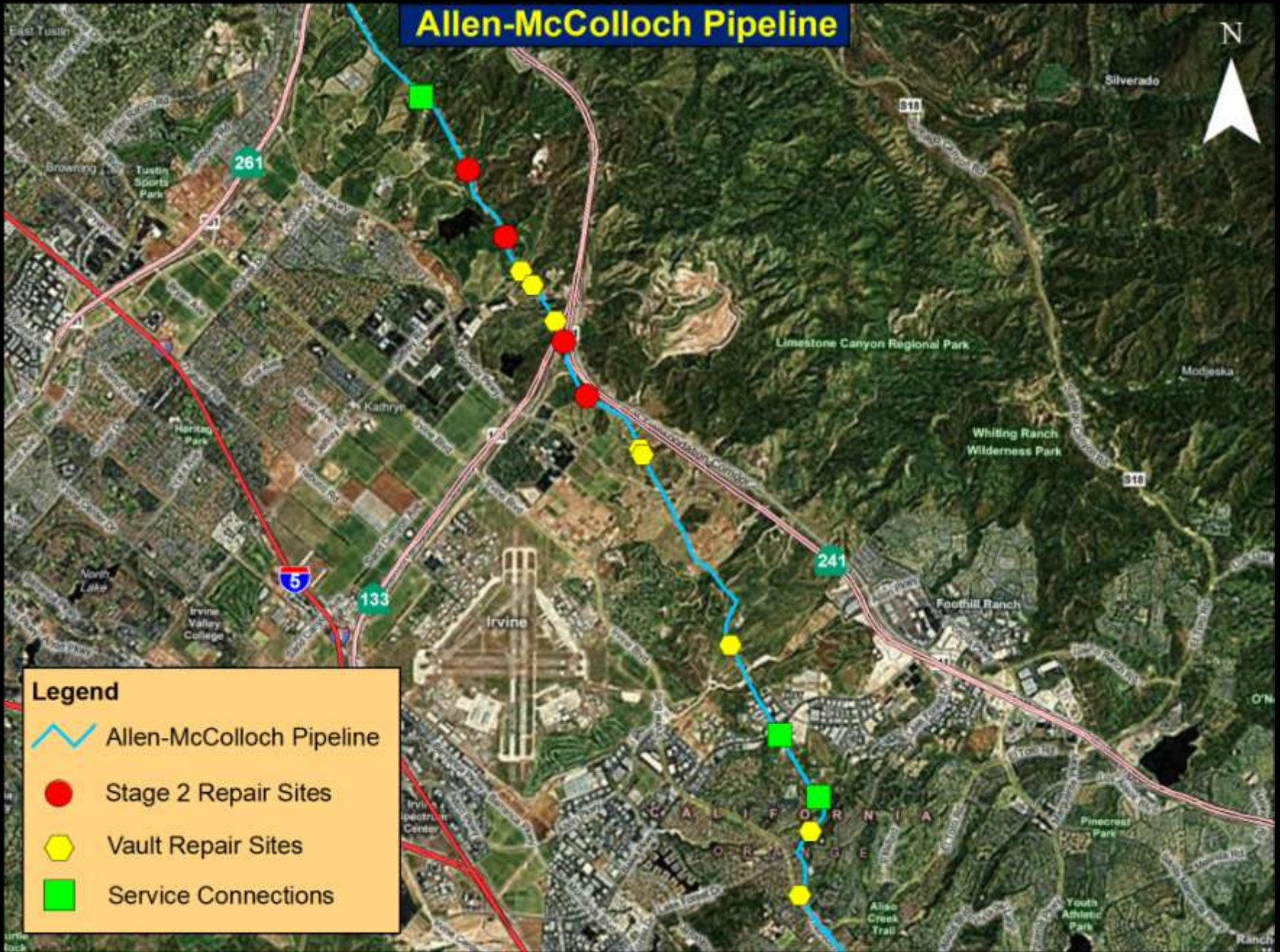
- 31 years old
- 26 miles long
 - 17 miles (Steel)
 - 9 miles (PCCP)
- 54-84 inch diam.

Diemer Water Treatment Plant

Allen-McColloch Pipeline



Allen-McColloch Pipeline



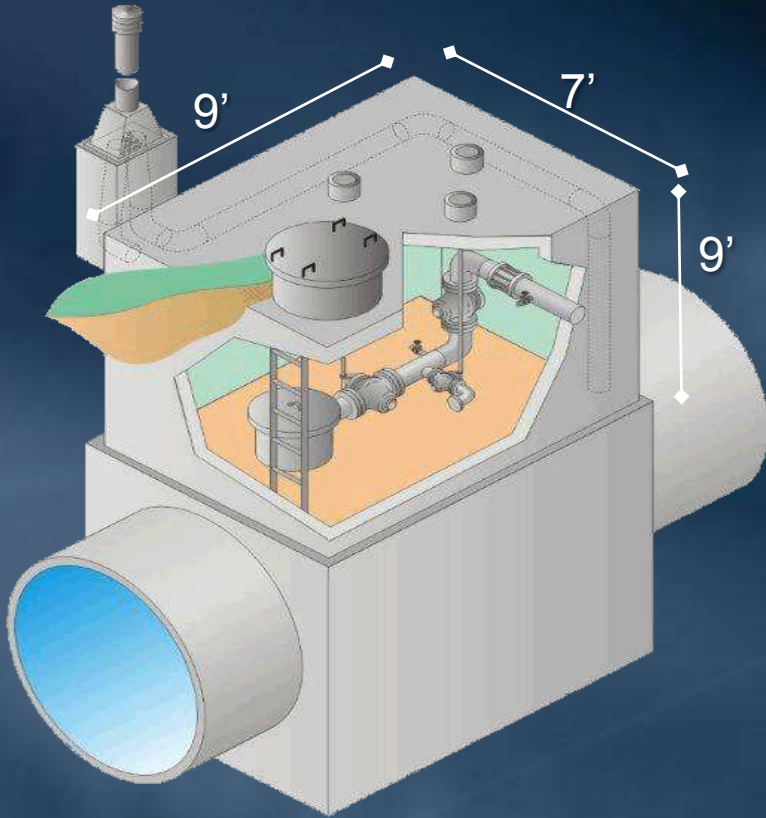
1. Stage 2 Pipeline Repairs



- Final Stage of 2 stage program
- Final Design for removal and replacement of 4 “broken back” pipe sections
- Pipe Fabrication



2. Valve Vault Repairs



- Repair of 8 damaged valve structures
- Final Design

Damaged Concrete & Exposed Re-bar



Requested Funds

	Project No. 1 Broken Back Repairs	Project No. 2 Valve Vaults Repair
Labor		
Studies & investigations	\$ 53,000	\$ -
Final design	\$ 155,000	\$ 65,000
Owners Costs	\$ 126,000	\$ 25,000
Met force constr.	\$ 486,000	\$ -
Materials & Incidentals	\$ 179,000	\$ -
Remaining budget	\$ 101,000	\$ 10,000
Total	\$ 1,100,000	\$ 100,000

Schedule



Board Options

● Option #1

- Adopt CEQA determination
- Appropriate \$100,000 in budgeted funds
- Appropriate \$1.1M in unbudgeted funds
- Authorize final design for projects 1 and 2

● Option #2

- Do not authorize final design

Staff Recommendation

- Option #1

